

MATERIALS AND FINISHES

BODY STAINLESS STEEL  
PASSIVATE

CENTER CONTACT BERYLLIUM COPPER  
PLATED GOLD

INSULATOR TEFLON

SCREW STEEL

$\phi 1.600 \pm 0.025$   
 $.063 \pm .001$   
2 PLACES  
THRU

$7.16 \pm 0.05$   
 $.282 \pm .002$

$3.58 \pm 0.05$   
 $.141 \pm .002$   
2 PLACES

GROUND PAD

$\phi 4.32$   
 $.170$   
GROUND PAD  
MINIMUM

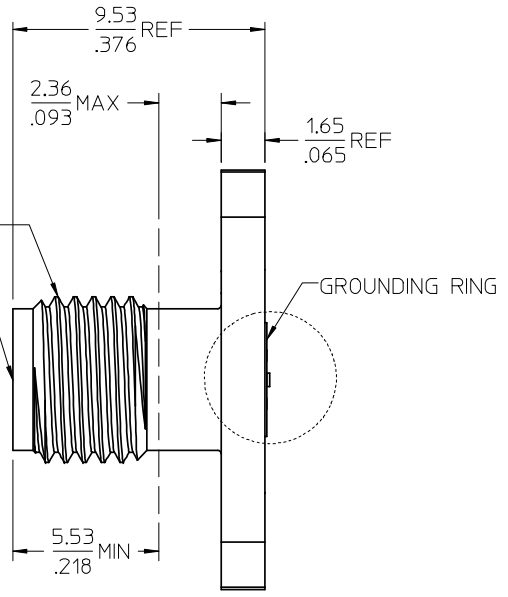
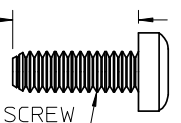
$\phi 2.57 \pm 0.05$   
 $.101 \pm .002$   
GROUND PAD

$\phi 0.76 \pm 0.08$   
 $.030 \pm .003$   
SIGNAL PAD

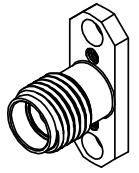
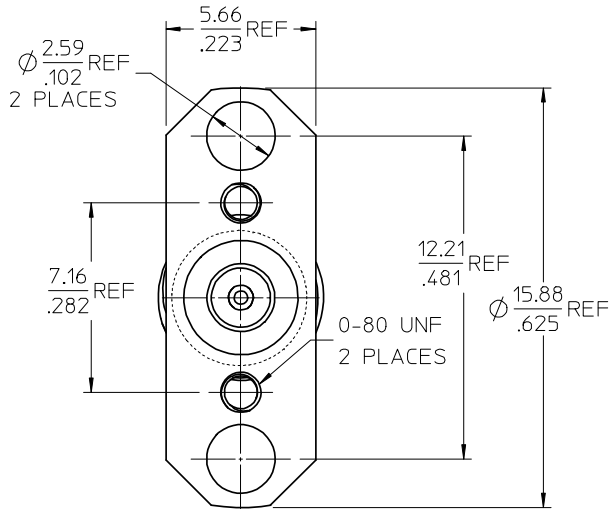
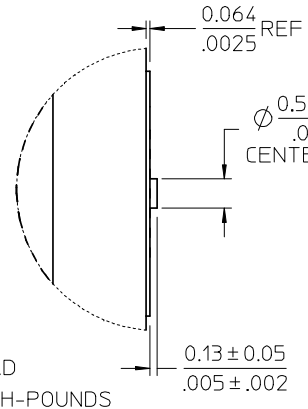
SIGNAL PAD

RECOMMENDED PCB LAYOUT

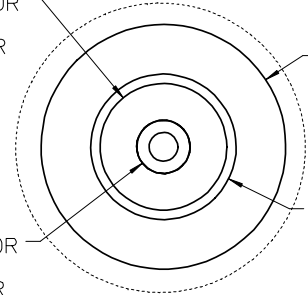
$4.76$  REF  
 $.188$



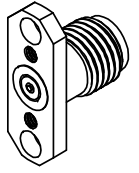
MOUNTING SCREWS MUST NOT  
EXTEND BEYOND THIS POINT



$\phi 2.24$   
 $.088$   
INSULATOR  
OUTER  
DIAMETER



$\phi 4.32$   
 $.170$   
GROUNDING  
RING OUTER  
DIAMETER



PCB THICKNESS FOR 73251-1851:  
1.57(.062) MINIMUM  
2.79(.110) MAXIMUM

73251-1852	P/N 73251-1850, ONE PER BAG
73251-1851	WITH TWO 4.76/.188 SCREWS
73251-1850	WITHOUT SCREWS
PART NO.	DESCRIPTION

PS-89675-2910	ELECTO/MECH PERFOR
MIL-STD-348A, FIG 310-2	INTERFACE
SPECIFICATION	DESCRIPTION

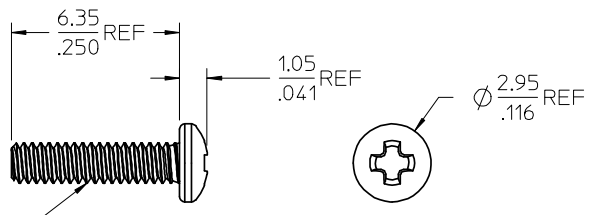
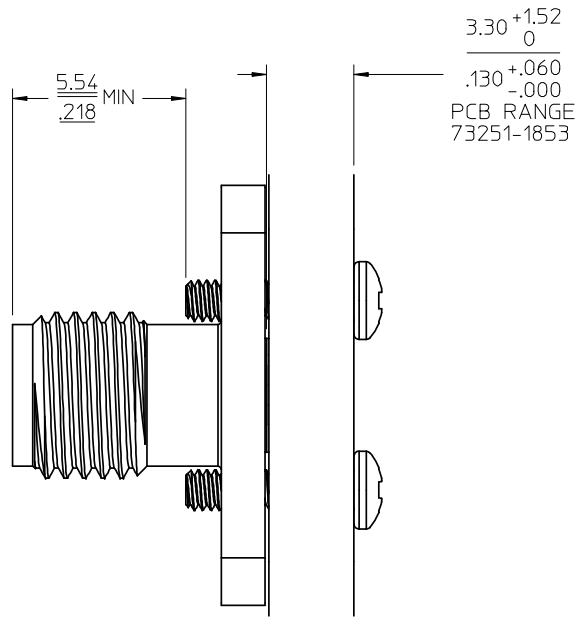
CHG: BODY FINISH WAS ELECTRO- POLISHED EC NO: URF2009-0093 DRWN: JLE02 CHKD: SSS APPR: WIENER B7	QUALITY SYMBOLS ▽=0 ▽=0	GENERAL TOLERANCES (UNLESS SPECIFIED) <table border="1"> <tr> <th></th> <th>mm</th> <th>INCH</th> </tr> <tr> <td>4 PLACES</td> <td>± .005</td> <td>± .0002</td> </tr> <tr> <td>3 PLACES</td> <td>± .005</td> <td>± .0002</td> </tr> <tr> <td>2 PLACES</td> <td>± .005</td> <td>± .0002</td> </tr> <tr> <td>1 PLACE</td> <td>± .005</td> <td>± .0002</td> </tr> </table> ANGULAR ± 2 °		mm	INCH	4 PLACES	± .005	± .0002	3 PLACES	± .005	± .0002	2 PLACES	± .005	± .0002	1 PLACE	± .005	± .0002	DIMENSION STYLE MM/IN	SCALE DESIGN UNITS METRIC	THIRD ANGLE PROJECTION
				mm	INCH															
4 PLACES	± .005	± .0002																		
3 PLACES	± .005	± .0002																		
2 PLACES	± .005	± .0002																		
1 PLACE	± .005	± .0002																		
DRAWN BY GMH CHECKED BY SSS APPROVED BY GMH	DATE 2003/04/21 DATE 2003/04/21 DATE 2003/04/21	TITLE SMA JACK, 2H FLG WITH 0-80 THD, 50 OHM SMA-JR/F	MATERIAL NO. 732511850	DOCUMENT NO. SD-73251-185	SHEET NO. 1 OF 2															

MATERIALS AND FINISHES

SEE SHEET 1

PCB LAYOUT

SEE SHEET 1



0-80 UNF-2A THREAD  
TORQUE TO .5-.8 INCH-POUNDS

73251-1853	WITH TWO 6.35/.250 SCREWS
------------	---------------------------

PART NO.	DESCRIPTION
----------	-------------

CHG: SEE SHT 1. EC NO: URF2009-0093 DRWN: JLEE02 CHKD: SSS APPR: JWIENER	2008/08/20	QUALITY SYMBOLS ▽=0 ▽=0	DESCRIPTION
	2008/08/20		
B7			

GENERAL TOLERANCES (UNLESS SPECIFIED)	
	MM/IN
4 PLACES	$\pm .005$ / $\pm .0005$
3 PLACES	$\pm .005$ / $\pm .0005$
2 PLACES	$\pm .005$ / $\pm .0005$
1 PLACE	$\pm .005$ / $\pm .0005$
ANGULAR $\pm 2^\circ$	
DRAFT WHERE APPLICABLE MUST REMAIN WITHIN DIMENSIONS	

DIMENSION STYLE	
MM/IN	
DRAWN BY	DATE
GMH	2003/04/21
CHECKED BY	DATE
SSS	2003/04/21
APPROVED BY	DATE
GMH	2003/04/21
MATERIAL NO.	
SEE TABLE	
SIZE	
C	

SCALE	DESIGN UNITS	THIRD ANGLE PROJECTION
	METRIC	
TITLE		
SMA JACK, 2H FLG WITH 0-80 THD, 50 OHM SMA-JR/F		
MOLEX INCORPORATED		SHEET NO.
SD-73251-185		2 OF 2
THIS DRAWING CONTAINS INFORMATION THAT IS PROPRIETARY TO MOLEX INCORPORATED AND SHOULD NOT BE USED WITHOUT WRITTEN PERMISSION		